

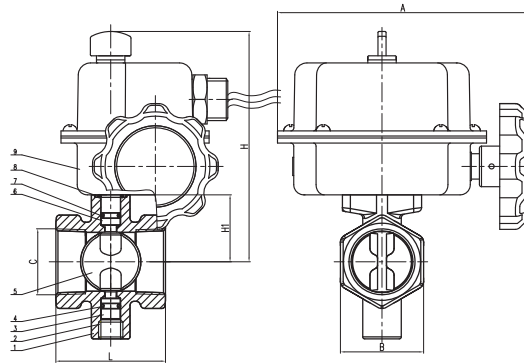
Threaded Butterfly Valve with Tamper Switch (XD311X)



XD311X



- Connection Ends: ASME B1.20.1
- Working Pressure: 175PSI
- Temperature Range: 0°C- 80°C
- Coating: Fusion Bonded Epoxy Coating in accordance with ANSI/AWWA C550 or double coating of hot dipped galvanization plus electroplating



MATERIAL SPECIFICATION

Part No.	Part	Standard Specification	Options
1	Valve Body	ASTM A536, 65-45-12	
2	Screw	Carbon Steel Zinc Plated	AISI 304, AISI 316
3	Stem	AISI 420	AISI 304, AISI 316, AISI 416, AISI 431
4	O-Ring	NBR	EPDM
5	Disc	Carbon Steel+EPDM	Carbon Steel+NBR
6	Stem	AISI 420	AISI 304, AISI 316, AISI 416, AISI 431
7	O-Ring	NBR	EPDM
8	O-Ring	NBR	EPDM
9	Signal Gear Box	Carbon Steel	

Note: For special material request other than standard specification, please indicate clearly on the inquiry or order list.

DN		Dimensions(mm)					
Inch	mm	L	H	H1	A	B	C
1"	25	54	115	33	125	41	1-11.5NPT
1.25"	32	67	117.5	37	125	49	11/4-11.5NPT
1.5"	40	73	121	40.5	125	55.5	11/2-11.5NPT
2"	50	82.5	131	48	125	71	2-11.5NPT