

AWWA C515 Flanged Resilient NRS Gate Valve (Z45X), NSF Approved



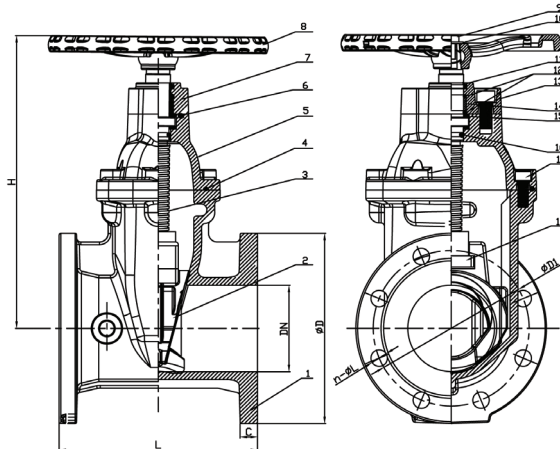
Z45X

NSF/ANSI 61 NSF/ANSI 372

- Connection Ends: Flange to ASME B16.1 CL 125
- Working Pressure: 300PSI
200PSI and 250PSI available upon request
- Temperature Range: 0°C - 80°C
- Coating: Fusion Bonded Epoxy Coating in accordance with ANSI/AWWA C550



Z45XC



MATERIAL SPECIFICATION

Part No.	Part	Standard Specification	Options
1	Valve Body	ASTM A536, 65-45-12	
2	Resilient Wedge Disc	ASTM A536, 65-45-12+EPDM	
3	Stem	AISI 431	AISI 304, AISI 316, AISI 420, Al-bronze
4	Bonnet Gasket	EPDM	NBR
5	Bonnet	ASTM A536, 65-45-12	
6	O-Ring	NBR	EPDM
7	Gland	ASTM A536, 65-45-12	
8	Handwheel	ASTM A536, 65-45-12	Pressed Steel
9	Bolt	Carbon Steel Zinc Plated	AISI 304, AISI 316
10	Flat Washer	Carbon Steel Zinc Plated	AISI 304, AISI 316
11	Ring Wiper	EPDM	NBR
12	O-Ring	NBR	EPDM
13	Nut	Carbon Steel Zinc Plated	AISI 304, AISI 316
14	Axis Guide	Brass Hpb59-1	
15	Washer	Brass Hpb59-1	
16	O-Ring	NBR	EPDM
17	Nut	Carbon Steel Zinc Plated	AISI 304, AISI 316
18	Wedge Nut	Brass Hpb59-1	Bronze ZQSn5-5-5

Note: For special material request other than standard specification, please indicate clearly on the inquiry or order list.

DN		Dimensions(mm)					
Inch	mm	L	H	D	D1	C	n-ΦL
2"	50	178	254	152	120.7	16	4-Φ19.1
2.5"	65	190	275	178	139.7	17.5	4-Φ19.1
3"	80	203	301	191	152.4	19.1	4-Φ19.1
4"	100	229	355	229	190.5	19.1	8-Φ19.1
5"	125	254	393	254	215.9	19.1	8-Φ22.2
6"	150	267	448	279	241.3	19.1	8-Φ22.2
8"	200	292	548	343	298.5	22.2	8-Φ22.2
10"	250	330	626	406	362	23.8	12-Φ25.4
12"	300	356	722	483	431.8	25.4	12-Φ25.4
14"	350	381	917	533	476.25	35.05	12-Φ28.6
16"	400	406	917	597	539.75	36.58	16-Φ28.6
18"	450	432	1108	635	577.85	39.62	16-Φ31.8
20"	500	457	1130	699	635.00	42.93	20-Φ31.8
24"	600	508	1311	813	749.3	47.75	20-Φ34.9