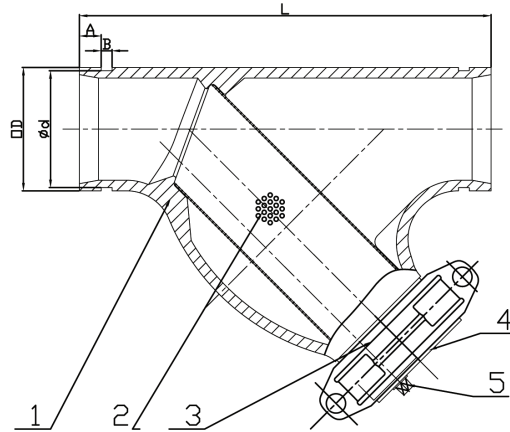


Grooved Y-Type Strainer (V8), UL Listed



- Connection Ends: Groove to AWWA C606
- Working Pressure: 300PSI
200PSI and 250PSI available upon request
- Temperature Range: 0°C - 80°C
- Coating: Fusion Bonded Epoxy Coating in accordance with ANSI/AWWA C550 or painting upon request



MATERIAL SPECIFICATION

Part No.	Part	Standard Specification	Options
1	Valve Body	ASTM A536, 65-45-12	
2	Screen	AISI 304	AISI 316
3	Rigid Coupling	ASTM A536, 65-45-12	
4	Cap	ASTM A536, 65-45-12	
5	Plug	Malleable Iron Galvanized	Bronze ASTM B584

STANDARD SCREEN

DN		Sieve No.	Hole Dia.	Free Flow Area(%)
Inch	mm		mm	%
2"-2.5"	50-65	25	4	48
3"-4"	80-100	18	5	53
5"	125	13	6	58
6"-12"	150-300	12	6.3	56

Note: For special material request other than standard specification, please indicate clearly on the inquiry or order list.

DN		Dimensions(mm)				
Inch	mm	L	OD	d	A	B
2"	50	247.5	60.3	57.15	15.88	7.92
2.5"	65	273	73	69.09	15.88	7.92
3"	80	298.5	88.9	84.94	15.88	7.92
4"	100	362	114.3	110.08	15.88	9.52
5"	125	419	141.3	137.03	15.88	9.52
6"	150	470	168.3	163.96	15.88	9.52
8"	200	609.5	219.1	214.4	19.05	11.13
10"	250	686	273	268.28	19.05	12.7
12"	300	762	323.9	318.29	19.05	12.7

For Fire Sprinkler System